

PLEASE CHECK WWW.MOLEX.COM FOR LATEST PART INFORMATION

Part Number: [0470191502](#)
Status: **Active**
Overview: sim smart card
Description: 2.54mm (.100") Pitch SIM Card Connector, 6 Circuits, Housing Height 1.50mm (.059"), Lead Free

Documents:

[3D Model](#) [Product Specification PS-47019-001 \(PDF\)](#)
[Drawing \(PDF\)](#) [RoHS Certificate of Compliance \(PDF\)](#)

General

Product Family	Memory Card Sockets
Series	47019
Button Type	N/A
Comments	Housing Height: 1.50mm (.059")
Component Type	Header/Socket (Host)
Overview	sim smart card
Product Name	SIM
Type	N/A

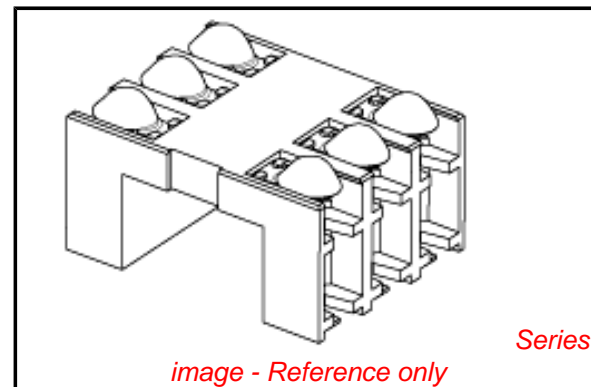
Physical

Card Detection Switch	No
Circuits (Loaded)	6
Circuits (maximum)	6
Color - Resin	Black
Durability (mating cycles max)	3,000
Ejector Button Side	No Ejector Button Present
Entry Angle	90° Angle (Side Entry), Vertical (Top Entry)
Keying to Mating Part	None
Material - Metal	Phosphor Bronze
Material - Plating Mating	Gold
Material - Plating Termination	Gold
Material - Resin	High Temperature Thermoplastic
PCB Locator	No
PCB Mounting Side	Normal
PCB Retention	None
Packaging Type	Embossed Tape on Reel
Pitch - Mating Interface (in)	0.100 In
Pitch - Mating Interface (mm)	2.54 mm
Pitch - Term. Interface (in)	0.100 In
Pitch - Term. Interface (mm)	2.54 mm
Plating min: Mating (µin)	15
Plating min: Mating (µm)	0.38
Plating min: Termination (µin)	2
Plating min: Termination (µm)	0.05
Ports	1
Temperature Range - Operating	-30°C to +85°C
Termination Interface: Style	Surface Mount

Electrical

Current - Maximum per Contact	0.5A
Shielded	No
Voltage - Maximum	15V DC
Voltage Key	N/A

Solder Process Data



EU RoHS

**ELV and RoHS
Compliant**
**REACH SVHC
Contains SVHC: No**
**Halogen-Free
Status**

China RoHS



**Need more information on product
environmental compliance?**

Email productcompliance@molex.com
 For a multiple part number RoHS Certificate of Compliance, [click here](#)

Please visit the [Contact Us](#) section for any non-product compliance questions.

Search Parts in this Series

[47019Series](#)

Mates With

Standard SIM Card

Use With

SIM Card

Duration at Max. Process Temperature (seconds)	10
Lead-free Process Capability	Reflow Capable (SMT only)
Max. Cycles at Max. Process Temperature	1
Process Temperature max. C	250

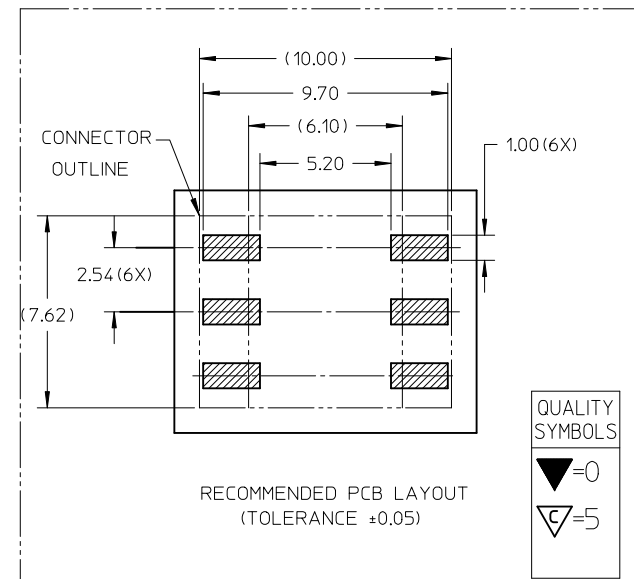
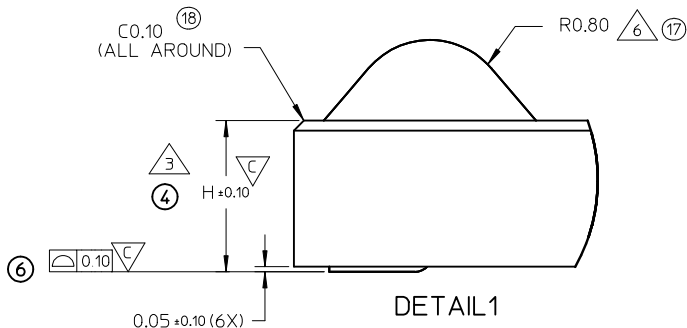
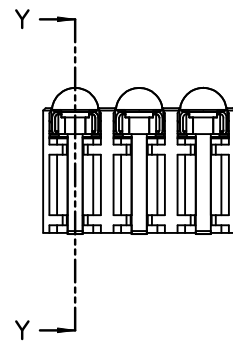
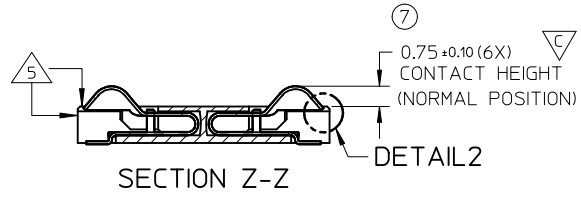
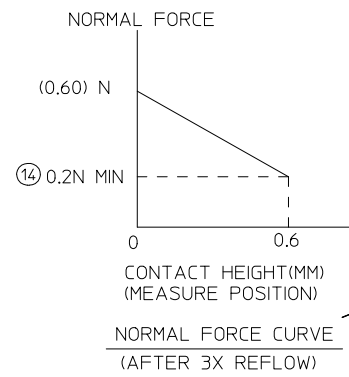
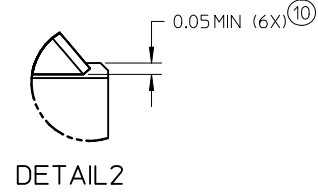
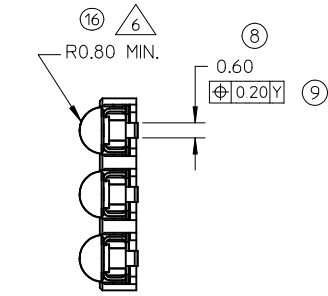
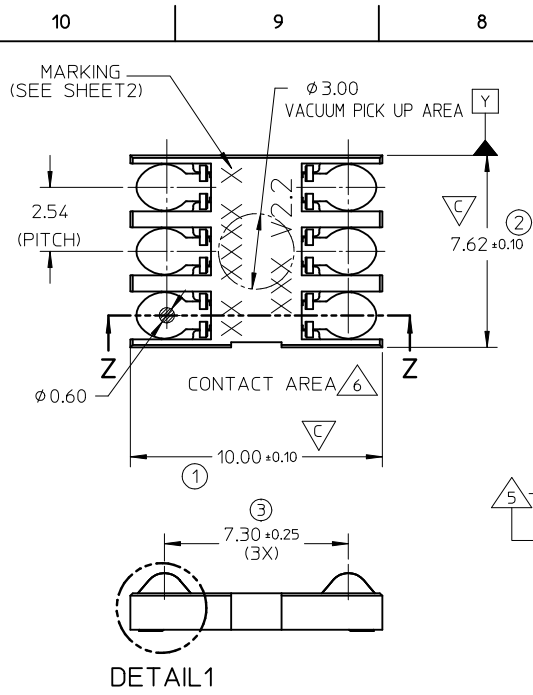
Material Info

Reference - Drawing Numbers

Packaging Specification	PK-47019-001
Product Specification	PS-47019-001
Sales Drawing	SD-47019-002

This document was generated on 05/27/2010

PLEASE CHECK WWW.MOLEX.COM FOR LATEST PART INFORMATION



- NOTES:
- 1 MATERIAL:
 - 1-1 HOUSING : LCP 30% GLASS FILL, UL94 V-0,COLOR BLACK
 - 1-2 TERMINAL : PHOSPHOR BRONZE 0.12MM REF THICKNESS
 - 2 PLATING:TERMINAL:
 - 2-1 SIM SIDE (CONTACT AREA): 0.38 MICROMETER MIN GOLD
 - 2-1 SOLDER TAIL : GOLD FLASH 0.05 MICROMETER MIN
 - 2-3 UNDERPLATING : 2 MICROMETER NICKEL OVERALL
 - 3 H DIMENSION MINIMUM=1.50,MAXIMUM=5.00(SEE CHART ON SHEET2)
 - 4 NO SHARP EDGES INTERFACING WITH THE PCB OR SIM CARD
 - 5 CONTACT MUST NOT EXTENDED BEYOND HOUSING EDGE DURING DEFLECTION AND MUST LOWER THAN HOUSING LEVEL AFTER 3 TIMES REFLOW
 - 6 MAINTAIN IN CONTACT AREA

QUALITY SYMBOLS

▽=0

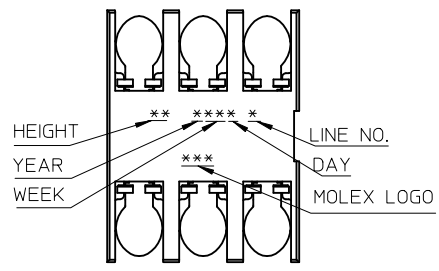
▽=5

RELEASED EC NO:58122000-03555 DRWN:JL1U39 CHKD:LANDY APPR:WFDENG 2010/03/10 2010/03/10 2010/04/02	QUALITY SYMBOLS	GENERAL TOLERANCES (UNLESS SPECIFIED)	DIMENSION STYLE	SCALE	DESIGN UNITS	THIRD ANGLE PROJECTION
	▽=0	mm INCH	MM ONLY	NTS	METRIC	
	▽=0	4 PLACES ± --- ± ---	DRAWN BY DATE			TITLE
	▽=0	3 PLACES ± --- ± ---	KHL IM 2009/12/18			6 CKT SCALABLE SIM CONNECTOR
	ANGULAR ± 2 °	2 PLACES ± 0.10 ± ---	CHECKED BY DATE			
		1 PLACE ± 0.2 ± ---	JXYONG 2010/01/07			
			APPROVED BY DATE			
			WFDENG 2010/03/29			
			MATERIAL NO.			
			SEE TABLE			
			SIZE			
			A3			
			THIS DRAWING CONTAINS INFORMATION THAT IS PROPRIETARY TO MOLEX INCORPORATED AND SHOULD NOT BE USED WITHOUT WRITTEN PERMISSION			

10	PART NUMBER	DIM H
	470191502	1.5
	470191602	1.6
	470191702	1.7
	470191802	1.8

HEIGHT	YEAR	WEEK	DAY	LINE NO.	MOLEX LOGO		
15--50	0--9	01--52	1--7	1--	MSH	MCH	MCD
Example 20	Example 0-2010	Example 13	Example 1	Example 2	PRODUCE IN SHANGHAI	PRODUCE IN DONG GUAN	PRODUCE IN CHENG DU

 PRODUCTION TOOL PART PRINTED DATE CODE



RELEASED EC NO: 58122000-00355 DRWN: JL1039 CHKD: LANDY APPR: WFDENG	2010/03/10 2010/03/10 2010/04/02	DESCRIPTION REV	QUALITY SYMBOLS	GENERAL TOLERANCES (UNLESS SPECIFIED)	DIMENSION STYLE	SCALE	DESIGN UNITS	THIRD ANGLE PROJECTION				
			$F_A=0$	mm INCH	MM ONLY	NTS	METRIC	TITLE				
			$F_G=0$	4 PLACES ± --- ± ---	DRAWN BY DATE	6 CKT						
			$F_P=0$	3 PLACES ± --- ± ---	KHL IM 2009/12/18	SCALABLE SIM CONNECTOR						
DRAFT WHERE APPLICABLE MUST REMAIN WITHIN DIMENSIONS				2 PLACES ± 0.10 ± ---	CHECKED BY DATE	MOLEX INCORPORATED						
ANGULAR ± 2 °				1 PLACE ± 0.2 ± ---	APPROVED BY DATE	SD-47019-002						
				SEE TABLE		DOCUMENT NO.		SHEET NO.				
				THIS DRAWING CONTAINS INFORMATION THAT IS PROPRIETARY TO MOLEX INCORPORATED AND SHOULD NOT BE USED WITHOUT WRITTEN PERMISSION								